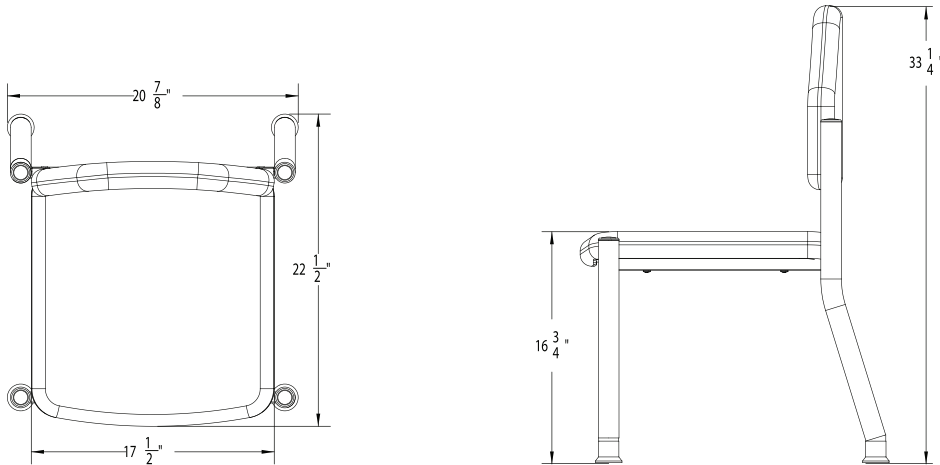


# SPECIFICATIONS

## 301 SIDE CHAIR

Chair shipping weight: 26 lbs (11.8 kg)

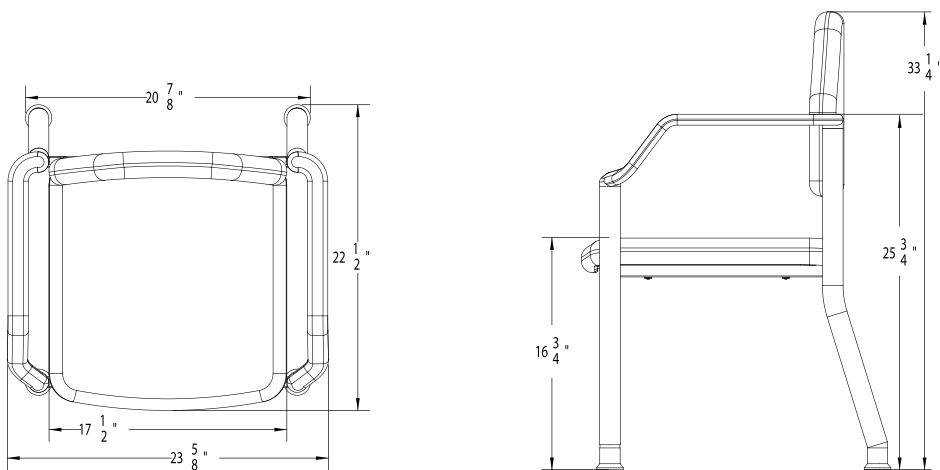
Chair shipping size: 25" x 25" x 37" (63.5 cm x 63.5 cm x 94 cm)



## 302 SIDE CHAIR

Chair shipping weight: 28 lbs (12.7 kg)

Chair shipping size: 25" x 25" x 37" (63.5 cm x 63.5 cm x 94 cm)



Strength in patient care.™

3655 W Ninigret Drive, Salt Lake City, Utah 84104-6572  
(800) 924.4655 | (801) 875.4999 | Fax (801) 952.0548 | mti.net



071054 Rev A