

burton

Luxo Medical Products



# AIM-50™

INSTALLATION MANUAL  
FLOOR STAND VERSION

PERFORMANCE RELIABILITY VALUE

*The Right Light*

EXAMINATION



# Installation Manual

## AIM-50™ Floorstand

The following models are covered in this manual:	
A50FL	AIM-50™ Floor stand version 120 V
A51FL	AIM-50™ Floor stand version 100 V
A52FL	AIM-50™ Floor stand version 240 V
A53FL	AIM-50™ Floor stand version 230 V

This product was designed and assembled in the U.S.A. by

**BURTON MEDICAL PRODUCTS CORP.**  
21100 Lassen St.  
Chatsworth, CA 91311  
U.S.A.

**This manual to  
remain with end user.**

**Questions?**  
Tel. (800) 444-9909  
(818) 701-8700  
Fax (800) 765-1770  
(818) 701-8725  
[www.burtonmedical.com](http://www.burtonmedical.com)

## Table of Contents

Table of Contents.....	2
Introduction .....	3
Symbols Used in This Manual.....	4
Transportation and Storage .....	4
Transportation and Storage .....	4
Tools Required for Assembly .....	4
Safety Precautions.....	5
Unpacking and Inspection .....	5
Mounting the Castors.....	6
Attaching the Color Foil .....	6
Mounting the Upright Pole .....	7
Mounting the Plastic Semicircular Rings.....	9
Accessing Floor Base Wires.....	9
Connecting the Power.....	10
Mounting the Spring Arm to the Upright.....	11
Mounting the Light Head to the Spring Arm.....	12
Adjusting Arm Tension.....	14

*This manual contains detailed information on the above, but responsibility for effective installation ultimately rests with skilled and qualified contractors. Products should at all times be handled by qualified staff; it is the responsibility of the user to ensure this is the case.*

## **Introduction**

Dear Installer,

Congratulations on your purchase of the AIM-50™ Examination Light!

This installation manual gives instructions on how to install the AIM-50™ Examination Light, Floor Stand version. For instructions on operation, maintenance and further description of the product please refer to the Operation & Maintenance manual furnished with the product.

Please read these installation instructions very carefully and follow the safety instructions and requirements.




If there are any peculiar problems that have not been treated in sufficient detail in these installation instructions, please contact your supplier for your own safety.

This product was designed and manufactured in the U.S.A. by:  
Burton Medical Products  
21100 Lassen Street  
Chatsworth, CA 91311  
U.S.A.

Questions?  
Tel: (800) 444-9909  
(818) 701-8700  
Fax: (800) 765-1770  
(818) 701-8725  
[www.burtonmedical.com](http://www.burtonmedical.com)

Copyright © 2008 Burton Medical Products

## Symbols Used in This Manual

	WARNING	Disregarding this instruction can present risk of a serious or fatal injury.
	CAUTION	Disregarding this instruction can result in medium to light injury and damage to property.
	IMPORTANT	Provides usage tips and useful information.

### Transportation and Storage

The following storage conditions apply:


- Temperature: 0°-70 °C (32-158°F)
- Relative humidity: 10 - 75 % (no condensation)
- Air pressure: 500 - 1060 hPa

Store only in closed or covered spaces; thereafter, the values of the operating conditions in the usage instructions apply.

### Tools Required for Assembly

- Pliers for the retaining ring (furnished with the product)
- Phillips (cross-point) screwdriver, medium size
- Phillips (cross-point) screwdriver, small size
- Flat (common) screwdriver, medium size

## Safety Precautions

	<b>WARNING –</b> Electrical shock / fire hazards	Electrical connections, installation, removal and repairs should only be carried out by a qualified electrician.
---	--	--

## Unpacking and Inspection

Carefully unpack the cartons and match the parts received with the parts list enclosed.


### Before Reporting Shortages:

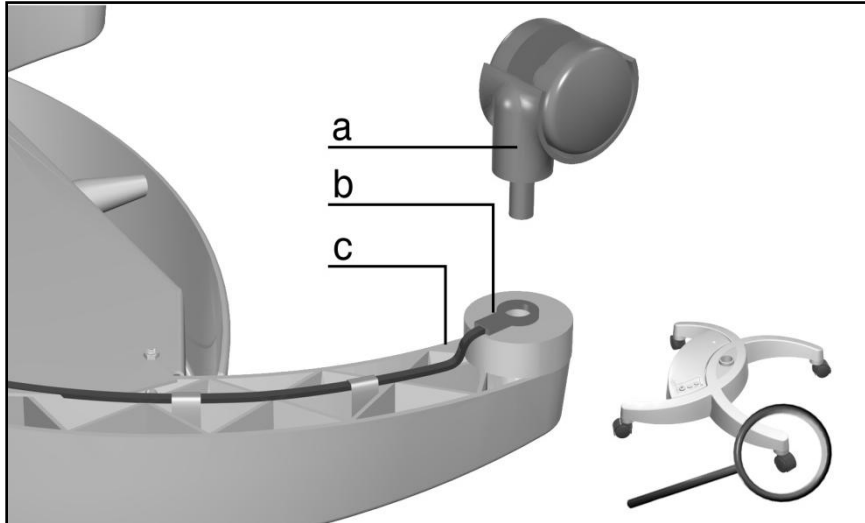
1. Be sure you have received the correct number of boxes, cartons, etc., as shown on the bill of lading.
2. Check the entire shipment against the enclosed packing slip.
3. Items indicated in the column headed “Back Order” are not included in the shipment and will follow later.
4. Be sure that nothing has been removed from the cartons before they are checked by the individual in charge.
5. Empty all boxes completely, open all inside containers, and examine all packing material to ensure small articles are not overlooked.

### If a Shortage or Damage Occurs:

1. You, the receiver, not Burton, are responsible for filing any claim(s) with the delivering carrier within five days after receipt of the shipment.
2. If damage or shortage occurs in transit, the delivering carrier is required by law to make notation of a shortage or damage. This notation is to be made on the bill of lading.
3. If, in your opinion, there may be concealed damage, an agent from the delivering carrier is obligated to make an inspection after the goods are unpacked.
4. Do not destroy packing material until after the agent has made out his report.
5. All claims must be made to the carrier, not Burton.
6. Written authorization must be obtained from Burton before merchandise can be returned.

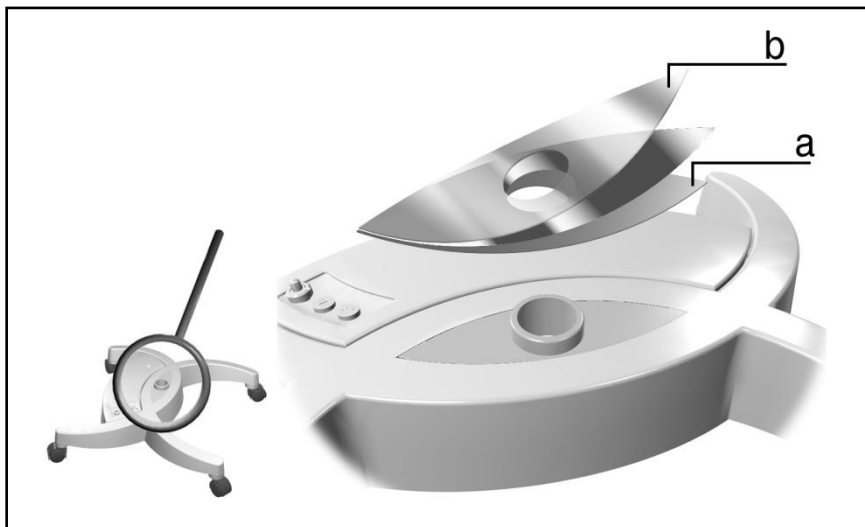
## Mounting the Castors

	<b>CAUTION –</b> Static charge hazard	If the PA-cable is not installed, the lighthead and/or the floor stand equipment may get statically charged and the charge may get transferred to the operator
---	--	--




1. Guide two anti-static rollers with brakes (a) through the ring cable lug of the PA cable (b) and insert completely in the Floor stand base (c).
2. Completely insert the two rollers without brakes.
3. Check for firm seating of the rollers.

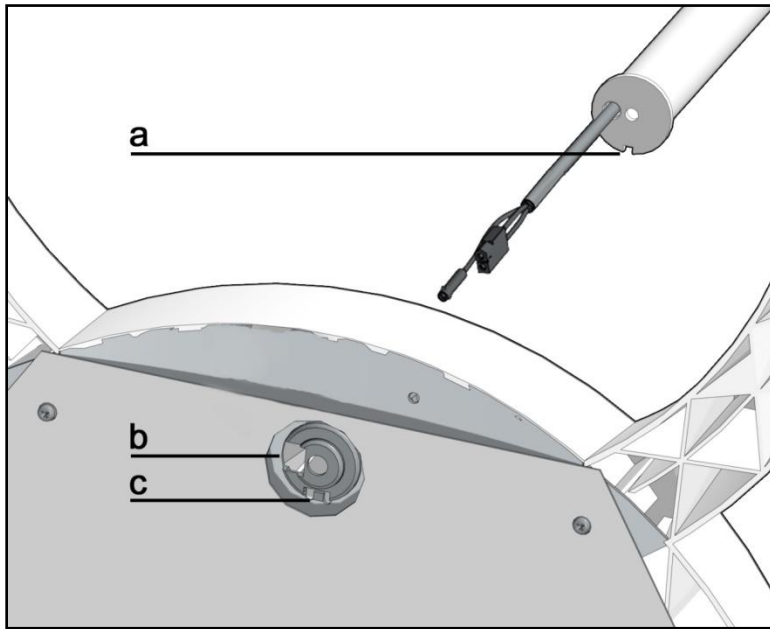
## Attaching the Color Foil



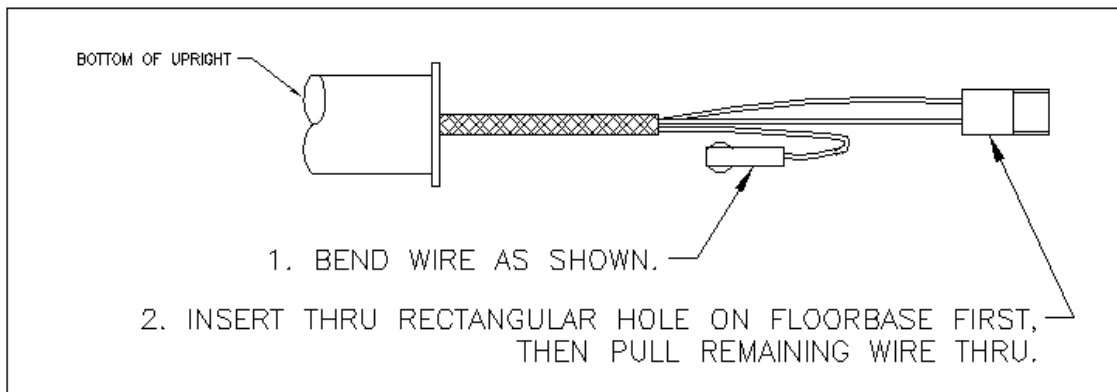
1. Clean the eye-shaped recess on the base.
2. Pull out the adhesive foil (a), place the color foil in the eye-shaped recess and press it down uniformly.
3. Pull off the clear protective foil (b).

## Mounting the Upright Pole

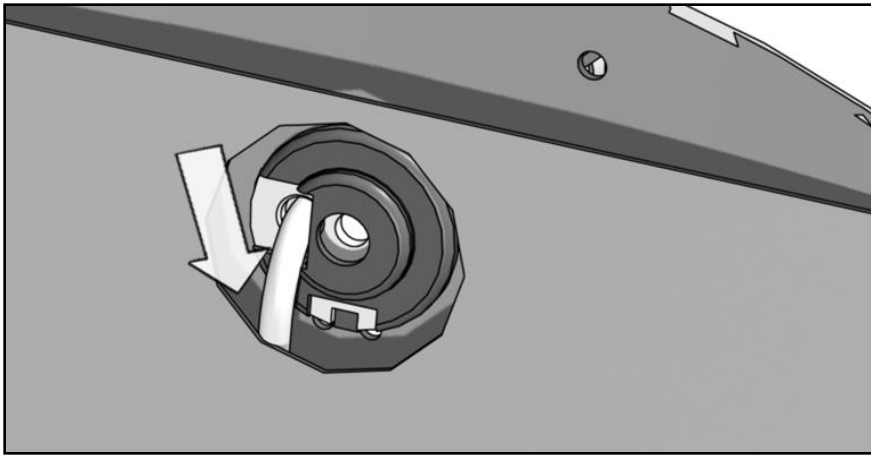
	<b>CAUTION –</b> Danger of injury	If the upright is not inserted and secured properly with the bolt, the floor stand may tip over. Follow the instructions and verify that all steps are completed correctly.
---	--------------------------------------	---



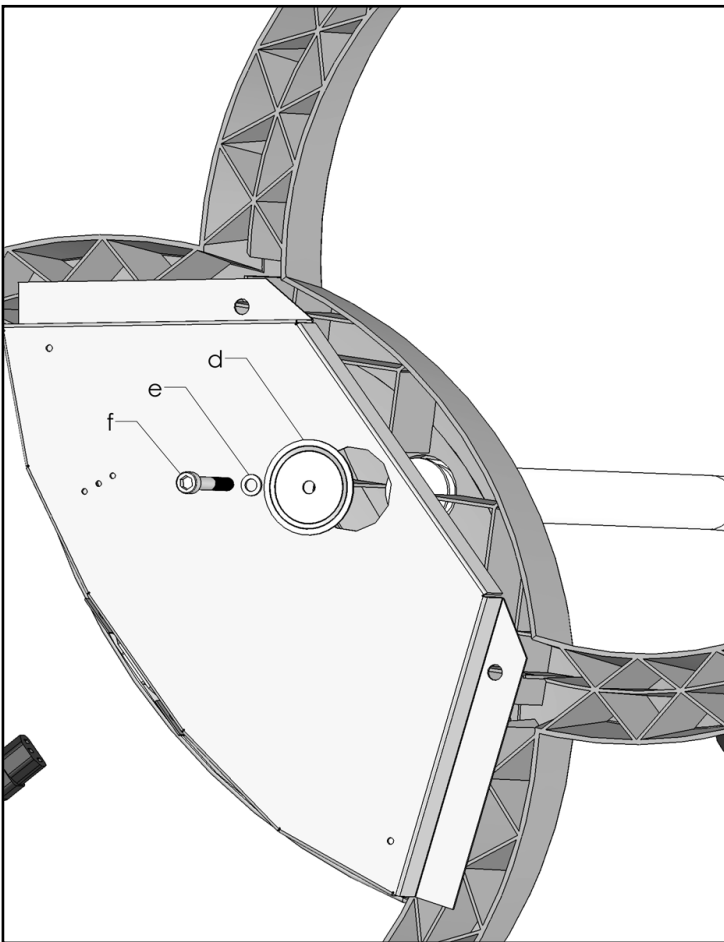
1. Feed the cable with the connectors through the hole in the bottom cover (b). See sketch below to fold harness.



2. Insert the upright pole in such a way that the tab of the base cover (c) engages in the groove in the pole (a).




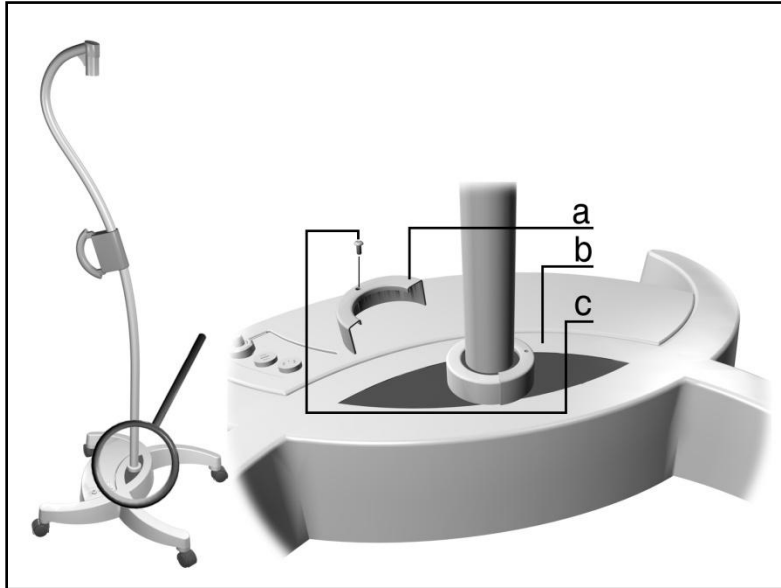
3. Slip the cable under the bottom cover plate.
4. Make sure that the abrasion resistant heat shrink on the cable is covering the cable where it is in direct contact with metal edges.



5. From the hardware pack, assemble the bolt (f), the spring washer (e) and the access cover (d) and tighten the bolt.

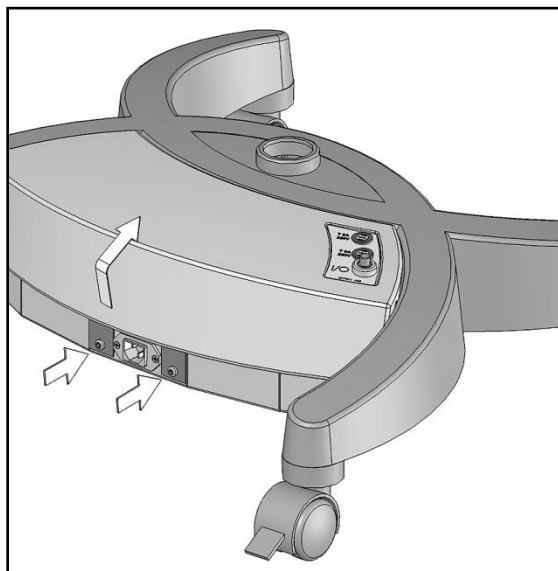
## Mounting the Plastic Semicircular Rings

	<b>CAUTION –</b> Danger of injury	Without the semi-circular rings inserted, the floor stand may tip over. Follow the instructions and verify that all steps are done correctly.
---	--------------------------------------	---



1. Press the plastic semi-circular rings (a) into the Floor stand base (b).
2. Screw in the two cross-slotted screws (c) and check that the pole is secured.

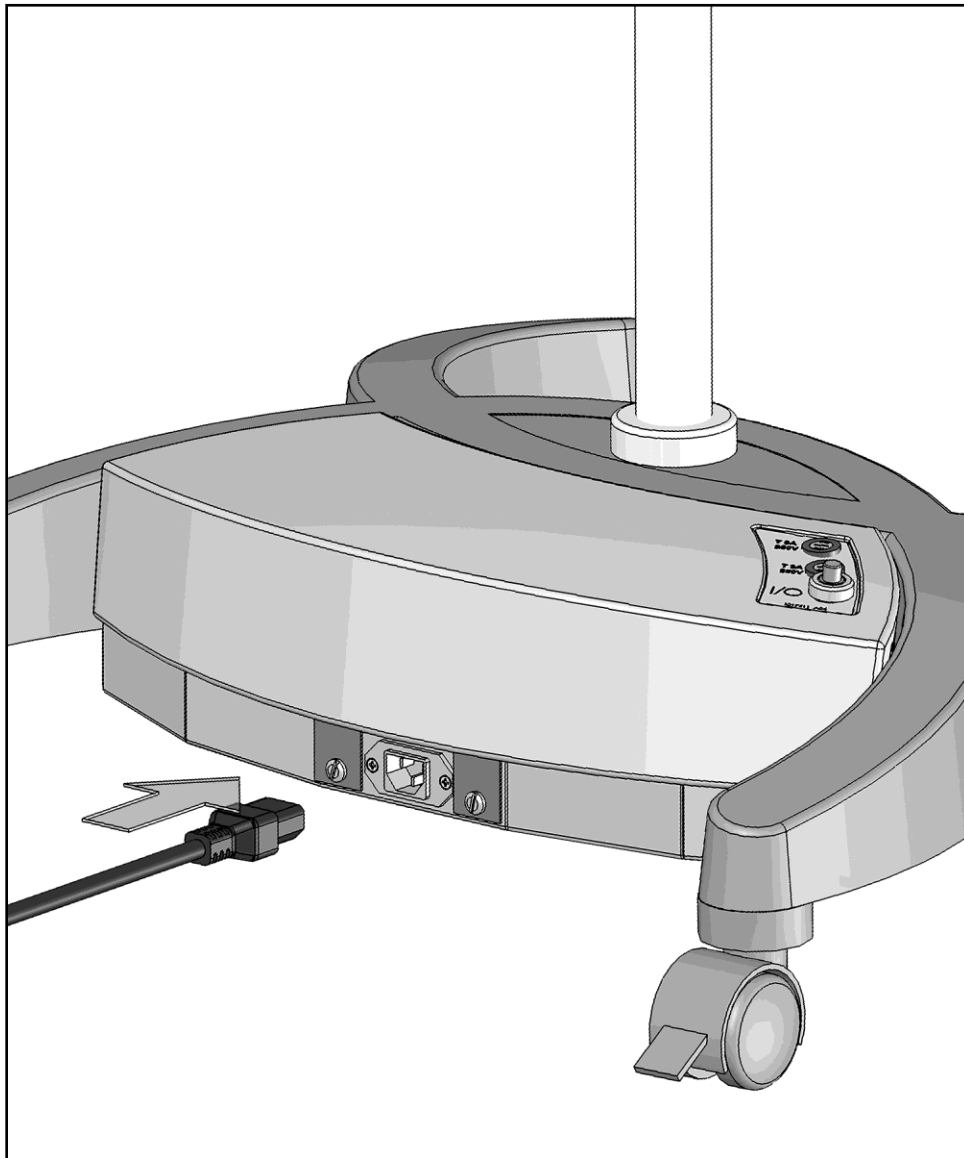
## Accessing Floor Base Wires



1. Remove screws next to power inlet (see arrows).
2. Open the top cover by holding on to the bottom edge, and give it a sharp pull upward to unsnap the cover from the base.
3. Connect wires from the upright to mating wires in the base.
4. Re-assemble.

## Connecting the Power



ⓘ	Note	The transformer has been pre-wired to the correct voltage rating of the unit.
---	------	---

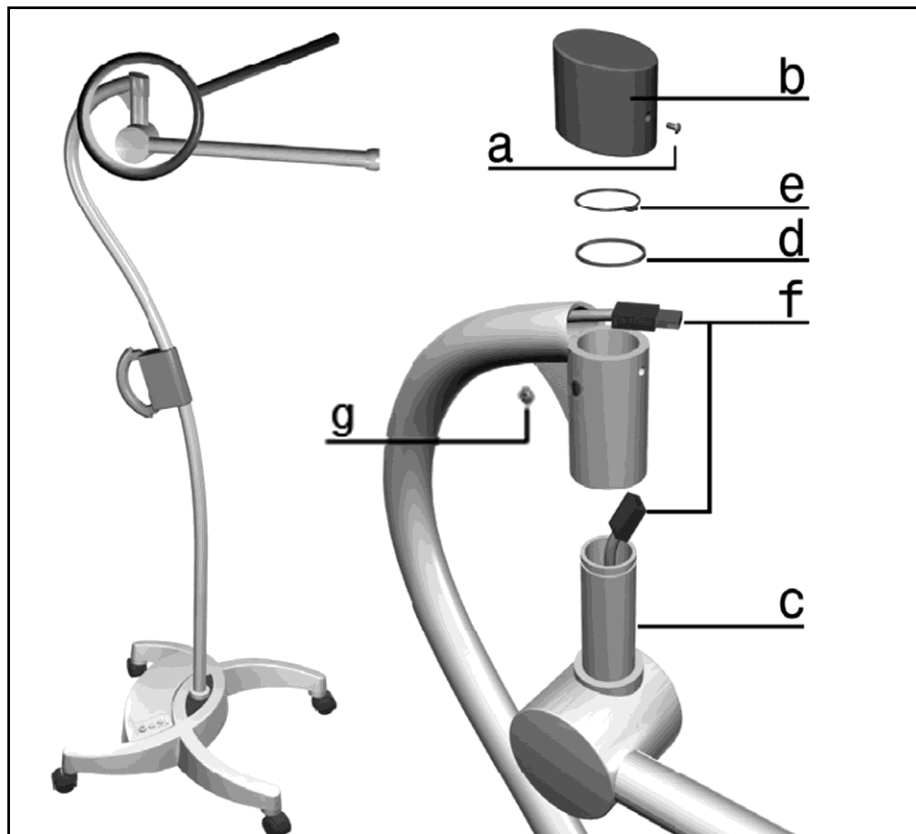


Plug the power cord directly into the socket at the bottom of the base.

Note: The main power switch is located on the base. A standby switch is located on the head. Both must be activated for the light to work.

## Mounting the Spring Arm to the Upright

	<b>CAUTION – Danger of injury</b>	Without the washer installed, the retaining ring may loosen and the spring arm could fall out of the joint. Always install the washer.
	<b>CAUTION – Danger of injury</b>	If the retaining ring is overstretched, it may loosen and the spring arm may fall out of the joint. Use the pliers furnished with the product. If the retaining ring appears to be damaged, do not use it. Contact Burton for a new retaining ring.



1. Unscrew the Phillips screw (a) and remove the cap (b).
2. Using a 2.5mm hex key, remove the safety screw (g) from the shaft (c).
3. Insert the spring arm shaft (c) into the upright.
4. Place the washer (d) on the shaft and secure with the retaining ring (e).  
(Use the pliers furnished with the product.)
5. Make sure the retaining ring (e) engages fully into the pin groove.
6. Insert the safety screw (g) through the hole and thread into the shaft (c) using a 2.5mm hex key.
7. Make sure the safety screw is fully seated against the shaft (c).  
The arm should rotate smoothly.
8. Make the electrical connection (f).
9. Put on the cap (b) and insert the Phillips screw (a).

## Mounting the Light Head to the Spring Arm

⚠	<b>WARNING –</b> Danger of injury	The spring arm, when pressed downwards, can spring upwards and result in injuries. During the installation of the light head, no one should be present within range of the spring arm.
⚠	<b>CAUTION –</b> Danger of injury	Key must be properly installed to avoid safety hazard.
ⓘ	<b>TIPS</b>	It is best to have two people assembling this. If you are alone, it is easiest to lay the upright down and assemble the light head while it is still in its box.

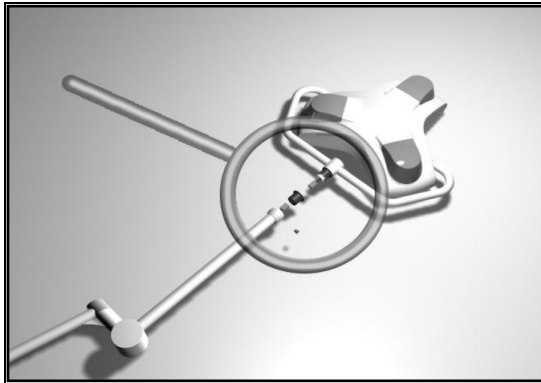


Figure 1

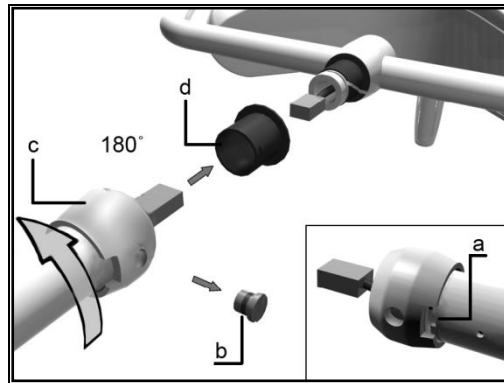


Figure 2

1. Figure 1 above shows the correct orientation of the spring arm to the light head.
2. Loosen the brake screw (b) and remove the protective cover (d) only.
3. Rotate the collar (c) 180° so that the slot in the collar aligns with the slot in the spring arm (a) illustrated in the lower right of figure 2.
4. Unite the electrical connectors.

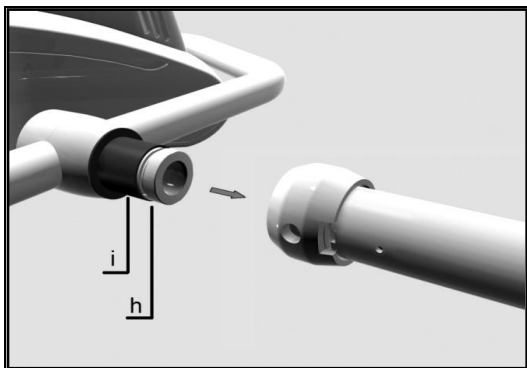


Figure 3

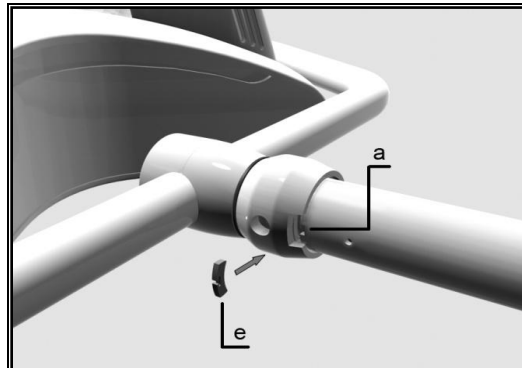


Figure 4

5. ⚠ Make sure the plastic bearing (i) is on the yoke and there is grease in the groove (h). The connectors are not shown in figure 3.
6. After the connectors are mated, push the yoke into the spring arm.
7. Put the key (e) completely into the slot (a), so that the key is engaged into the yoke groove (h). See figure 4.

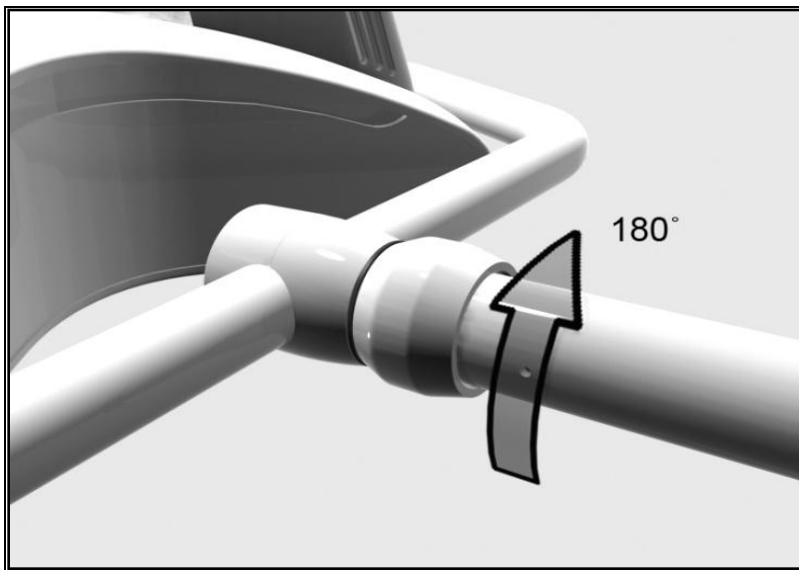



Figure 5

8. Rotate the collar (c) 180 degrees as shown in figure 5.
9.  Before installing the brake screw (b), check the attachment of the light head by pulling and rotating it at the same time. The light head should rotate smoothly and not pull out of the arm.

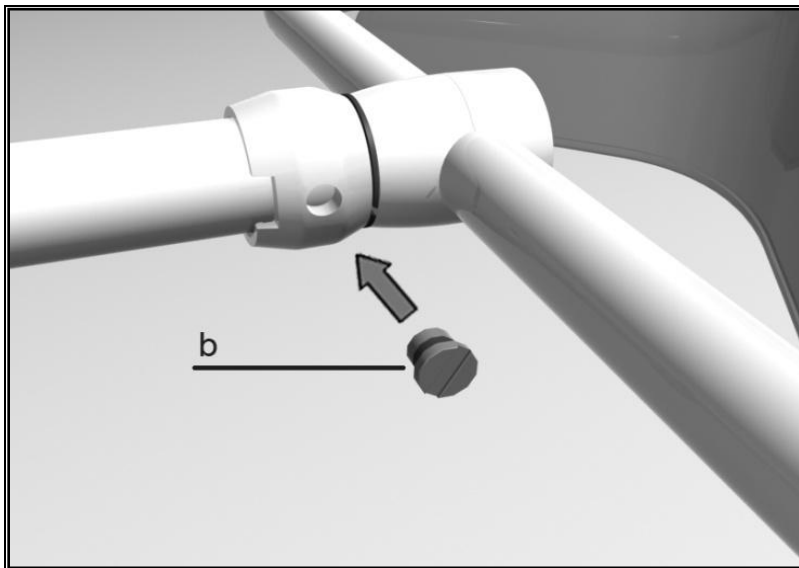


Figure 6

10. Thread the brake screw (b) into the collar as shown in figure 6 and tighten until the rotating joint has the desired friction.

## **Adjusting Arm Tension**

The spring inside the arm is pre-adjusted from the factory. If, however, the light head drifts up or down, please refer to the Operation & Maintenance manual for guidance on how to adjust this.









*Luxo Medical Products*

BURTON MEDICAL

21100 Lassen Street

Chatsworth, CA 91311 USA

Phone: 800-444-9909, 818-701-8700

Fax: 800-765-1770, 818-701-8725

[www.burtonmedical.com](http://www.burtonmedical.com)



*The Right Light*

